



# sapat

Production of rubber and silicone items since 1942

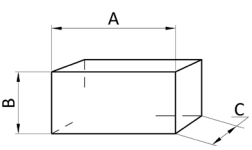
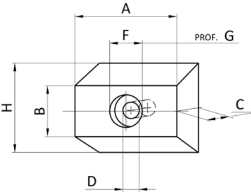
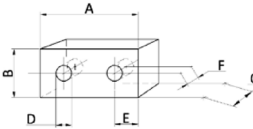
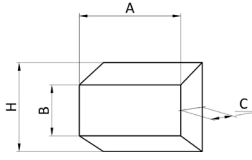
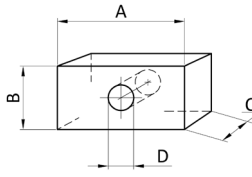
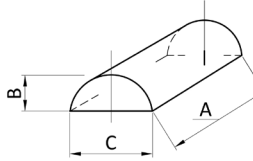
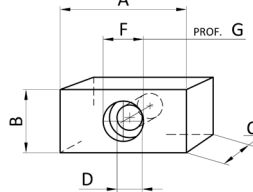
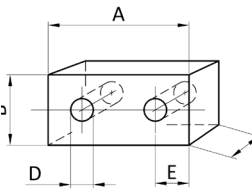
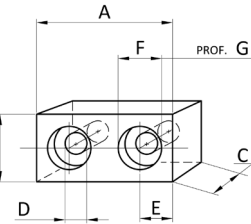
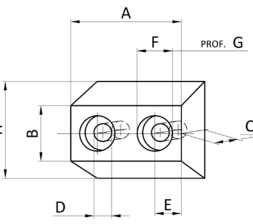
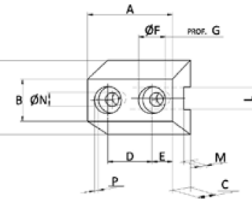
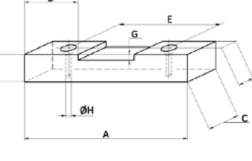
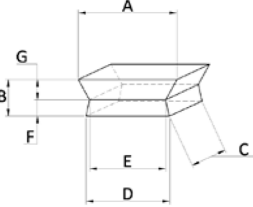
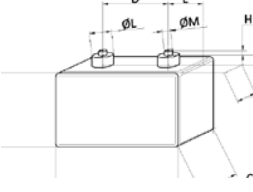
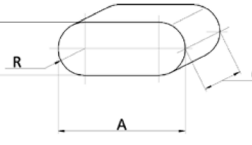
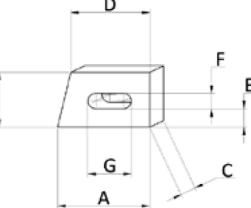
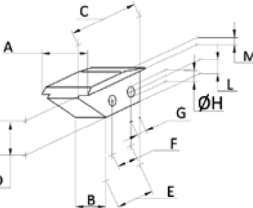
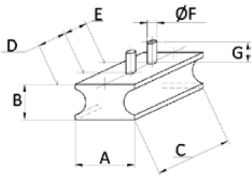
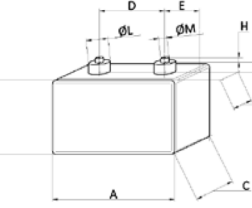
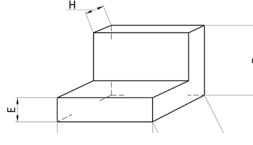
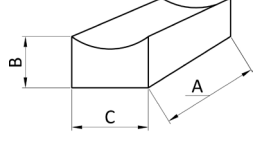
**CATALOGUE 2024**



Pads

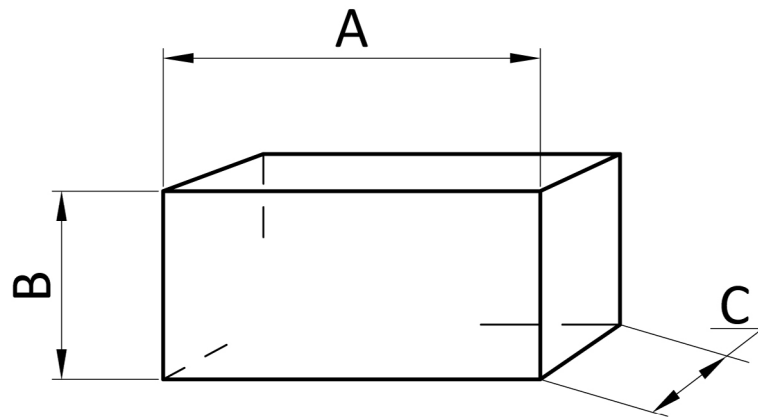


Click on the **profile** that suits your needs to access the table with quotations and the SAPAT codes.

<p style="text-align: center;"><b>1</b></p> 	<p style="text-align: center;"><b>2</b></p> 	<p style="text-align: center;"><b>3</b></p> 	<p style="text-align: center;"><b>4</b></p> 	<p style="text-align: center;"><b>5</b></p> 	<p style="text-align: center;"><b>6</b></p> 	<p style="text-align: center;"><b>7</b></p> 
<p style="text-align: center;"><b>8</b></p> 	<p style="text-align: center;"><b>9</b></p> 	<p style="text-align: center;"><b>10</b></p> 	<p style="text-align: center;"><b>11</b></p> 	<p style="text-align: center;"><b>12</b></p> 	<p style="text-align: center;"><b>13</b></p> 	<p style="text-align: center;"><b>14</b></p> 
<p style="text-align: center;"><b>15</b></p> 	<p style="text-align: center;"><b>16</b></p> 	<p style="text-align: center;"><b>17</b></p> 	<p style="text-align: center;"><b>18</b></p> 	<p style="text-align: center;"><b>19</b></p> 	<p style="text-align: center;"><b>20</b></p> 	<p style="text-align: center;"><b>21</b></p> 

<< Back to all TYPES

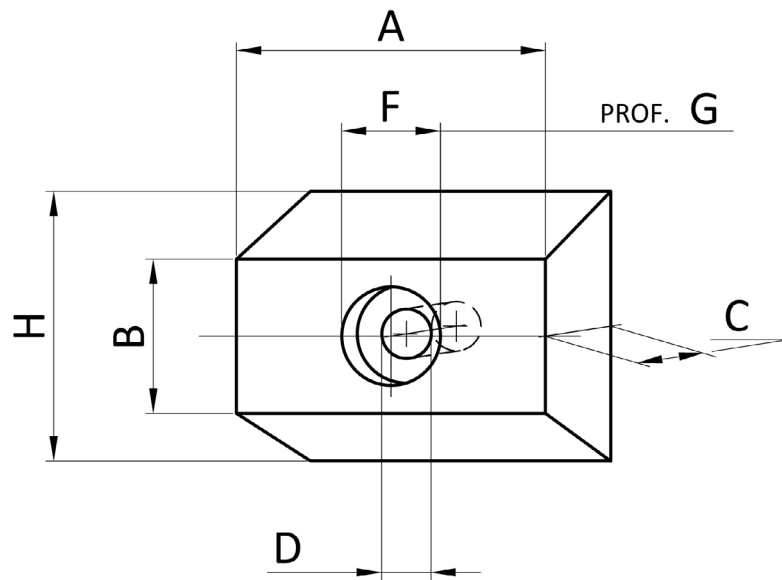
# TYPE 1



A	B	C	SAPAT Code
38	28	20	2432
70	22	20	2837
32	20	16	2838
59	41	22	2899
24	14	4	3156
30	20	12	3628
61	40	24.5	4025
63	46.5	24	4137

<< Back to all TYPES

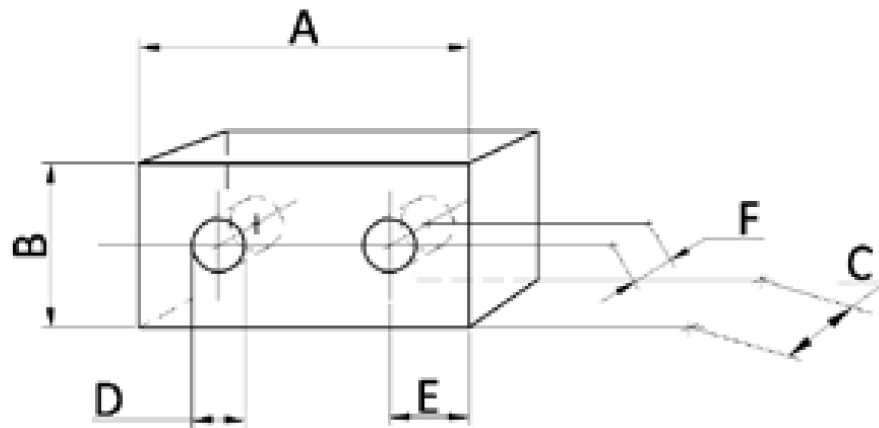
# TYPE 2



A	B	C	D	E	F	SAPAT Code
34.5	23	10	5	5	25.5	2642
33	22	10	5	5	24	2924
34	22	15	5	5	25.5	3408

<< Back to all TYPES

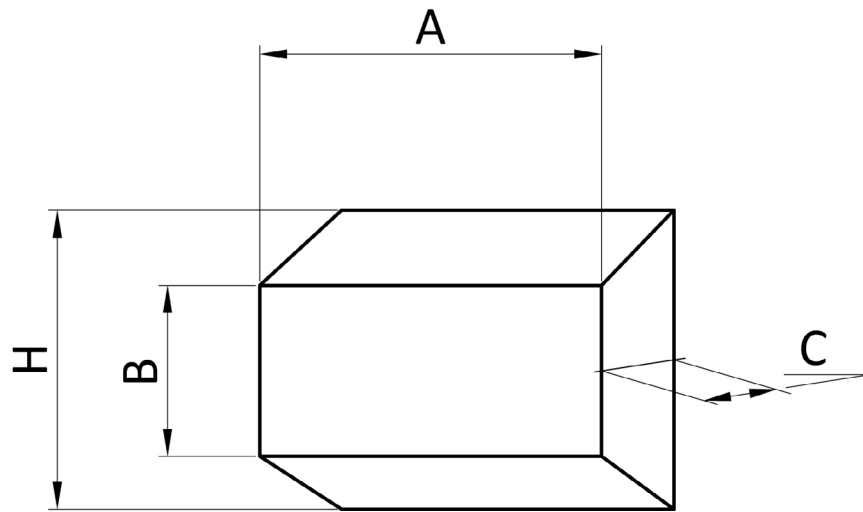
# TYPE 3



A	B	C	D	F	SAPAT Code
101	59	45	10	10	2552
32.5	25	14	5	5	3947

<< Back to all TYPES

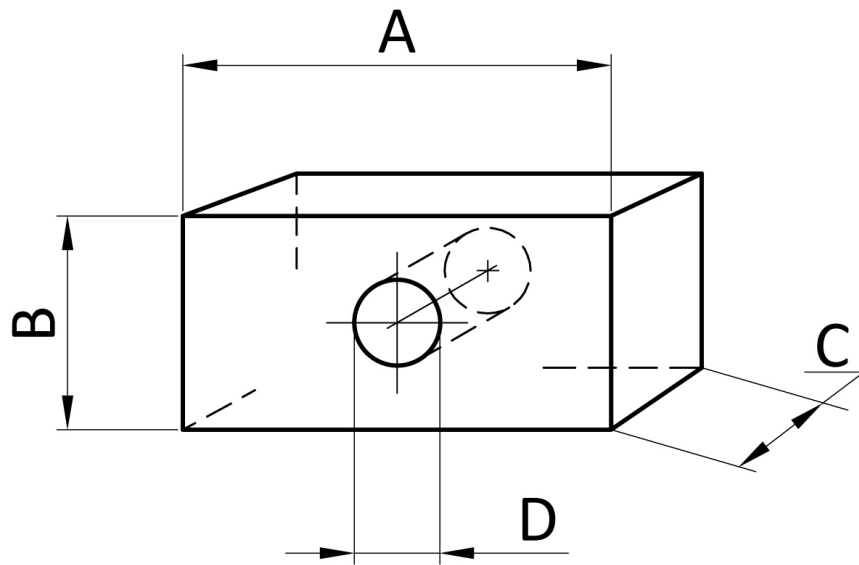
# TYPE 4



A	B	C	H	SAPAT Code
75	45	47	57	2553

<< Back to all TYPES

# TYPE 5



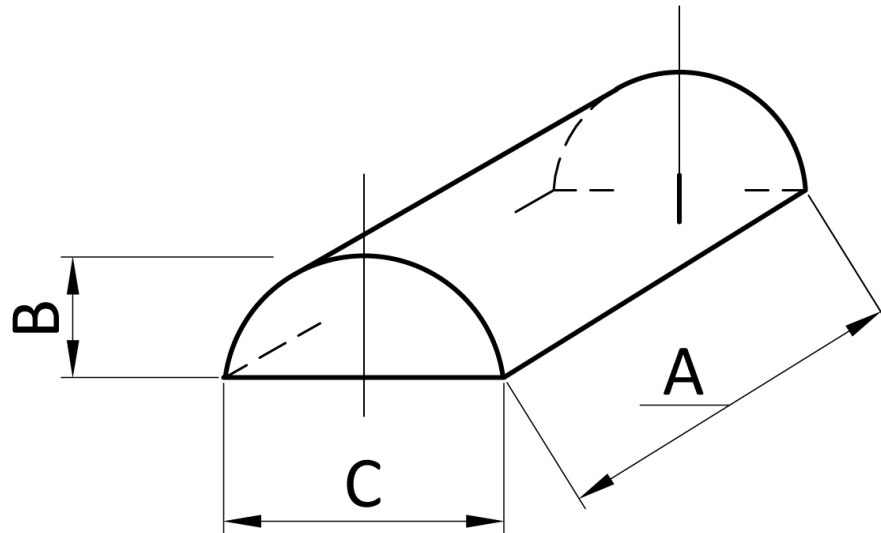
A	B	C	D	SAPAT Code
45	30	20	9.5	3583
46	34	18	14	2981



<< Back to all TYPES

# TYPE 6

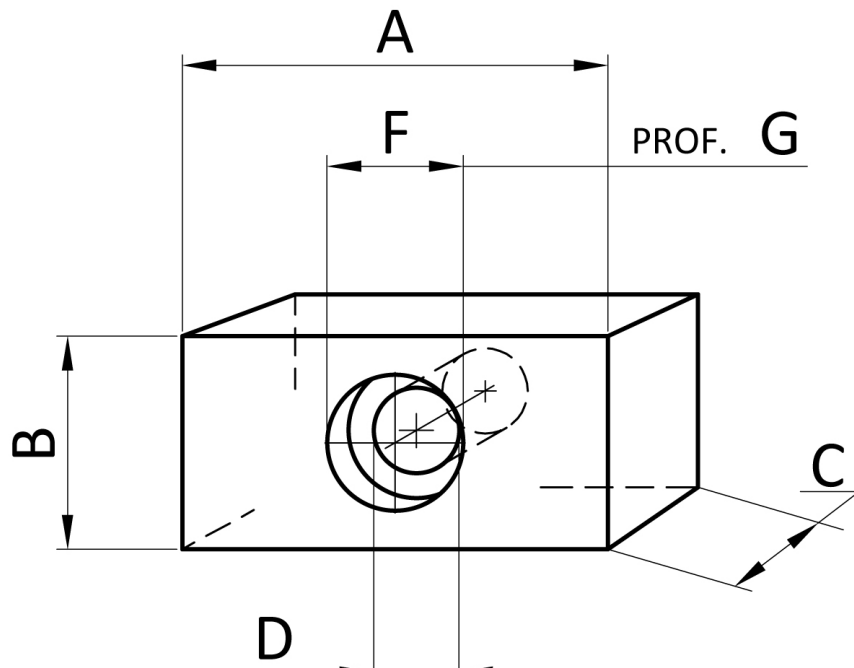
## Pass-through hole



A	B	C	Hole diameter	SAPAT Code
25.5	8	11.5	5	3342

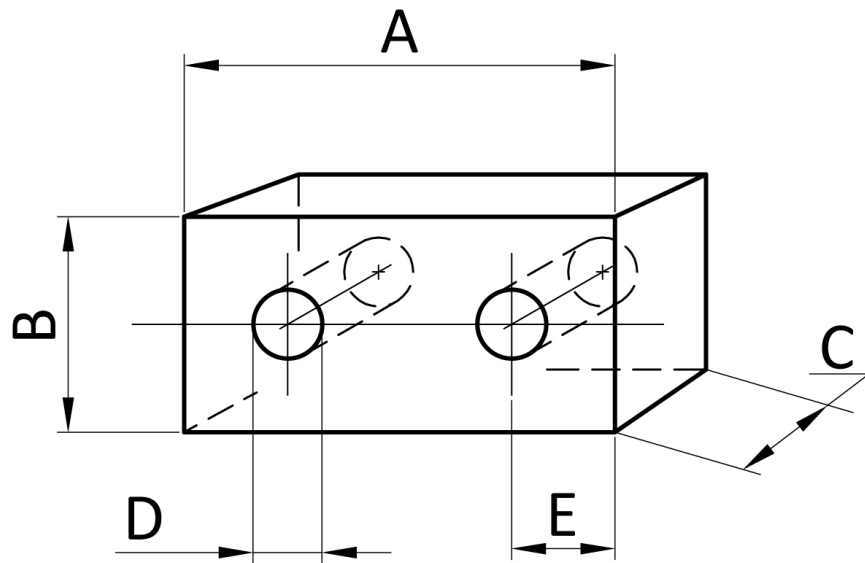
<< Back to all TYPES

# TYPE 7



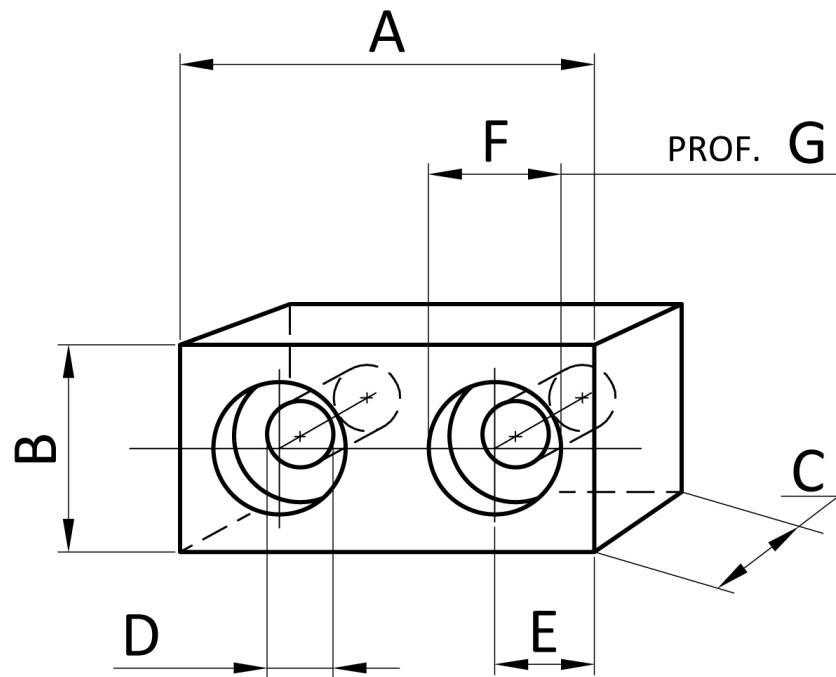
<< Back to all TYPES

# TYPE 8



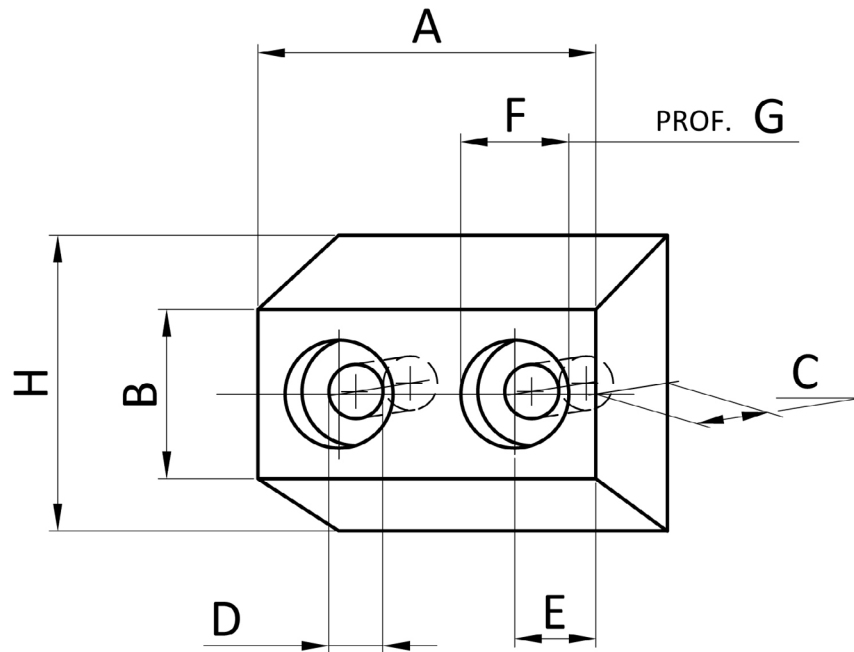
<< Back to all TYPES

# TYPE 9



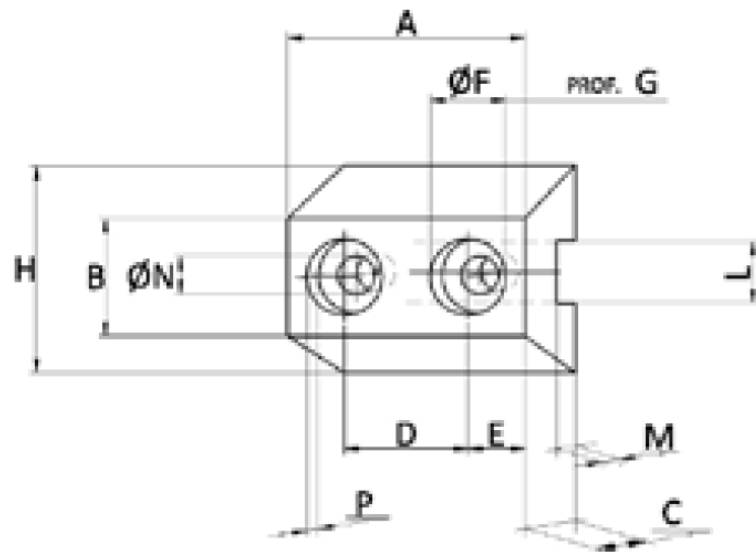
<< Back to all TYPES

# TYPE 10



<< Back to all TYPES

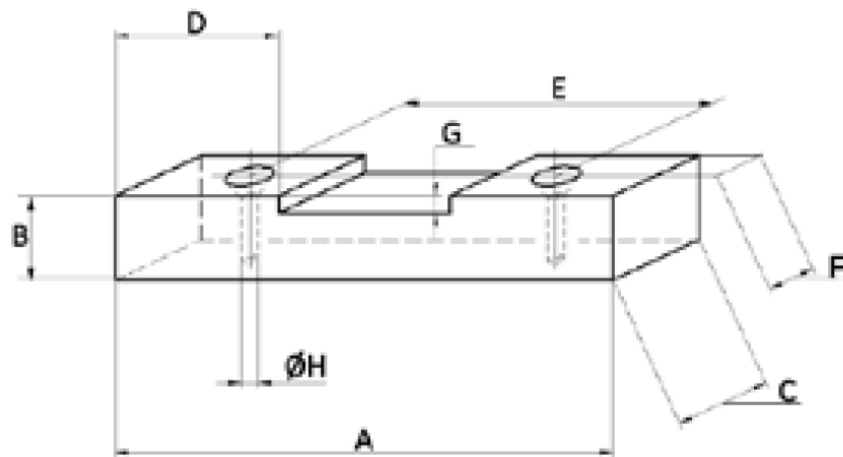
# TYPE 11



A	B	C	D	E	Ø F	G	H	L	M	Ø N	SAPAT Code
40	13	15	20	10	9.5	4	30	10	5	5	1522

<< Back to all TYPES

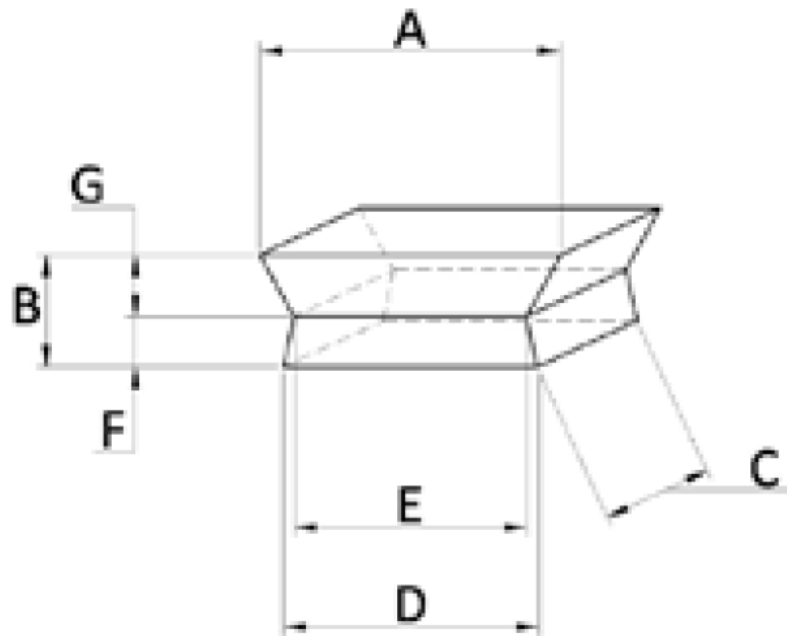
# TYPE 12



A	B	C	D	E	F	G	Ø H	SAPAT Code
119	20	30	40	70	15	4	5.5	2051

<< Back to all TYPES

# TYPE 13



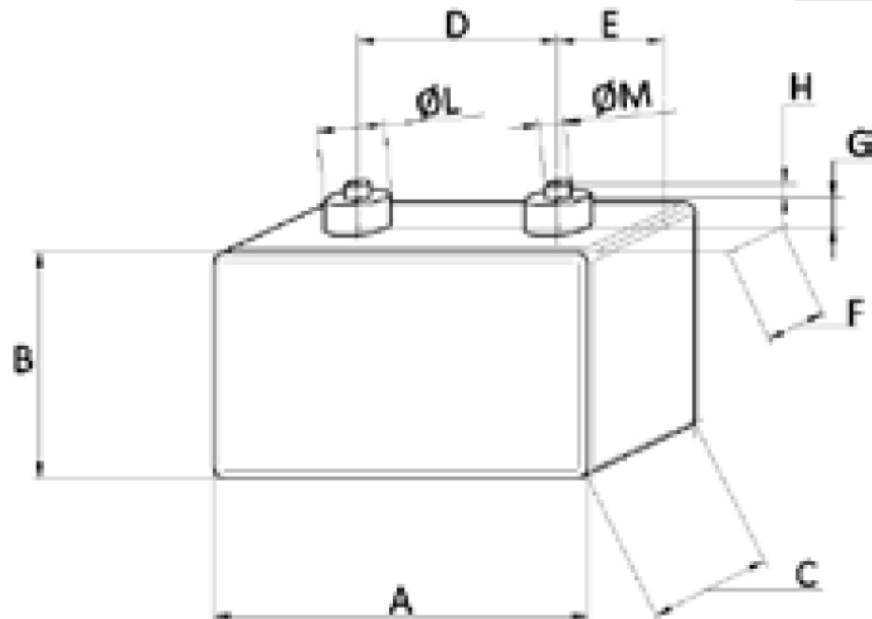
A	B	C	D	E	F	G	SAPAT Code
41.5	15.5	27	35	32	7	8.5	2407



<< Back to all TYPES

# TYPE 14

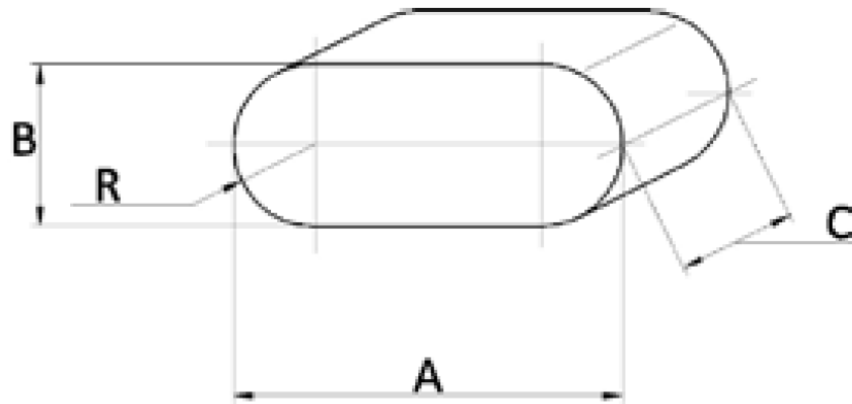
A	B	C	D	E	F	G	H	Ø L	Ø M	SAPAT Code
39	44	73	26	10	19.5	6	2.5	13	5	2551



<< Back to all TYPES

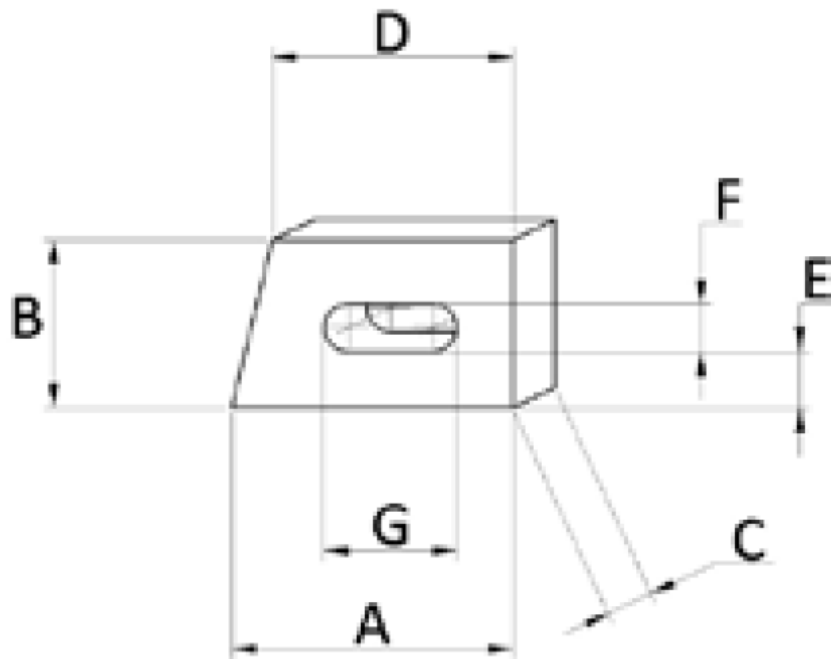
# TYPE 15

A	B	C	R	SAPAT Code
60	25	45	12.5	3067



<< Back to all TYPES

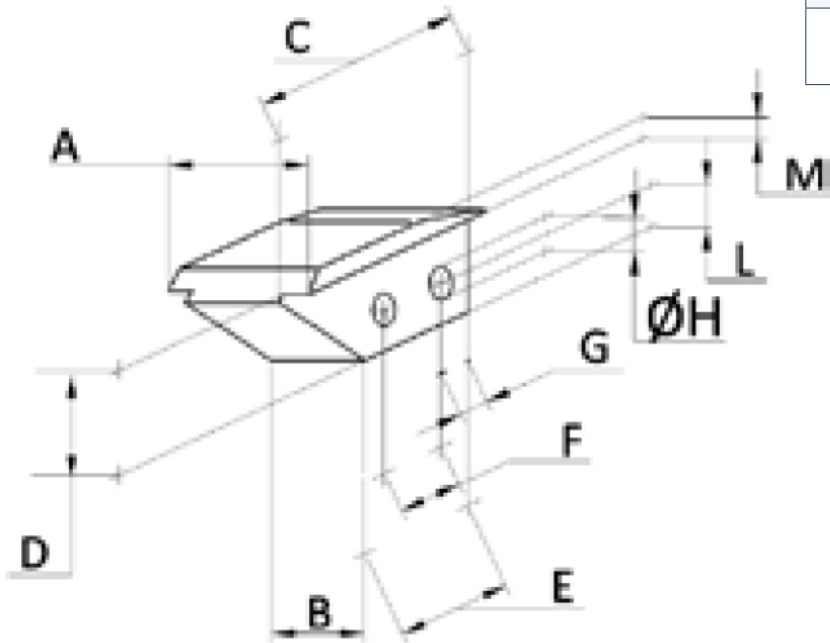
# TYPE 16



A	B	C	D	E	F	G	SAPAT Code
35	21	13.8	30	7.5	6	16.5	3434

<< Back to all TYPES

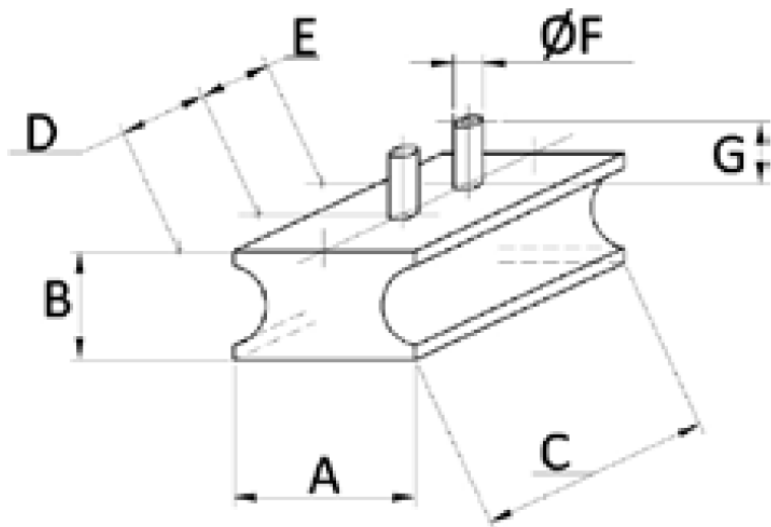
# TYPE 17



A	B	C	D	E	F	G	Ø H	L	M	SAPAT Code
19	12	35	12.5	24	12.5	7.5	4.5	7.5	4.5	3814

<< Back to all TYPES

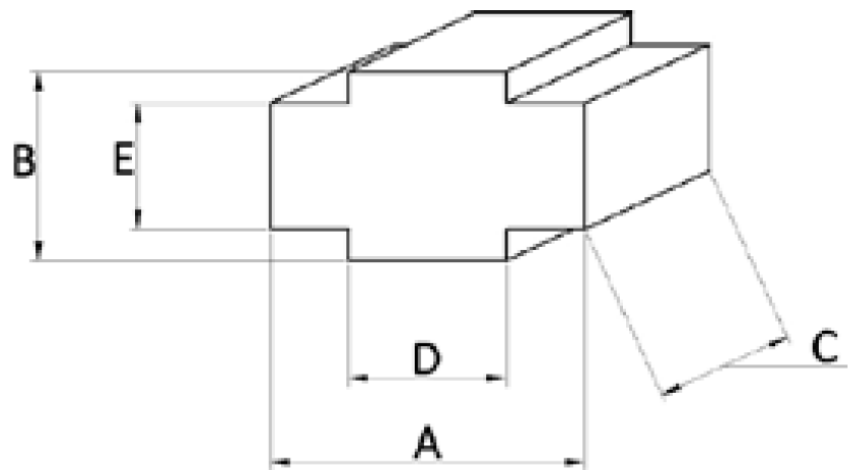
# TYPE 18



A	B	C	D	E	Ø F	G	SAPAT Code
25	15	73.5	21	19.5	6	12.5	4231

<< Back to all TYPES

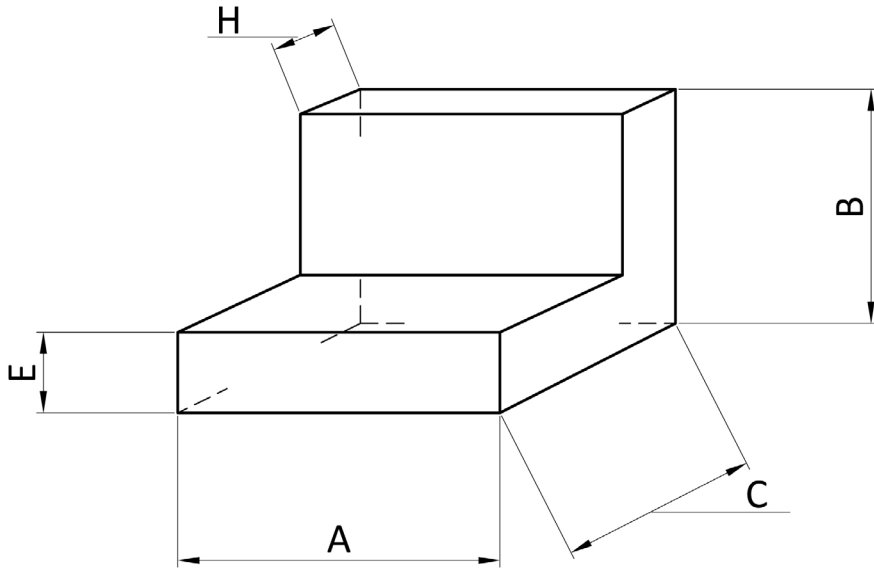
# TYPE 19



A	B	C	D	E	SAPAT Code
50	25	30	18	20	3068

<< Back to all TYPES

# TYPE 20



<< Back to all TYPES

# TYPE 21

